

Straight support bar to be fixed to the wall with 2 anchor points. Length 300 mm. Stainless steel. Shiny finish



#### Description

- Straight support bar to be fixed to the wall.
- Two anchor points.
- Designed for toilets adapted for people with disabilities.
- Stainless steel polished finish.
- Screws included.

#### Technical characteristics

**Material:** AISI 304 stainless steel

**Finishing:** Brightness

**Bar diameter:** Ø32 mm

**Bar thickness:** 1.5 mm

**Length between support centers:** 300 mm

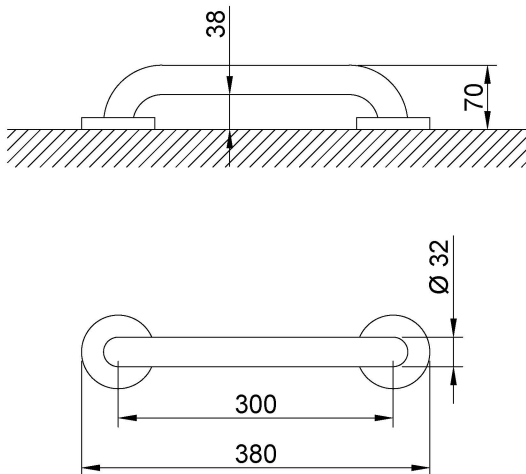
**Wall separation:** 38 mm

**Recommended installation height:** 70-75 cm from bar to floor

#### Suggested text for prescription

Fixed support bar, made of AISI 304 stainless steel, polish finished. Length between support centers: 300 mm.  
Bar Ø32 mm, thickness 1.5 mm.

#### Dimensional drawing



These specifications may be modified and/or amended due to manufacturing requirements.